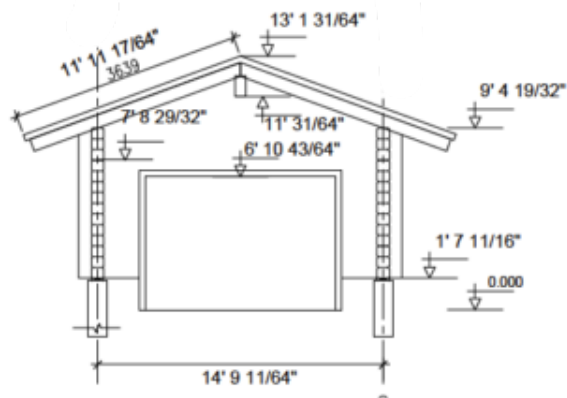
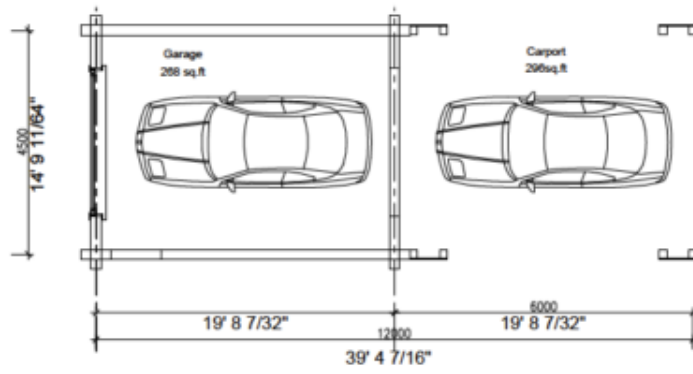




Floors: **1**
Gross area: **570 sq ft**
Net area: **270 sq ft**
Ridge height: **13' ft**
Carport: **Yes**

First floor



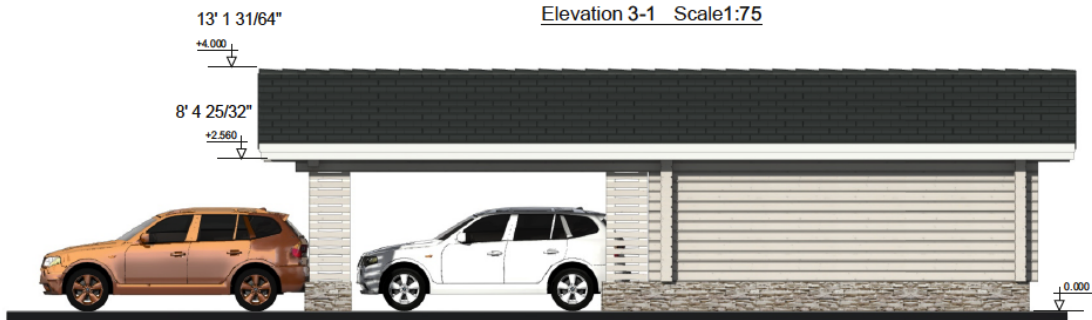




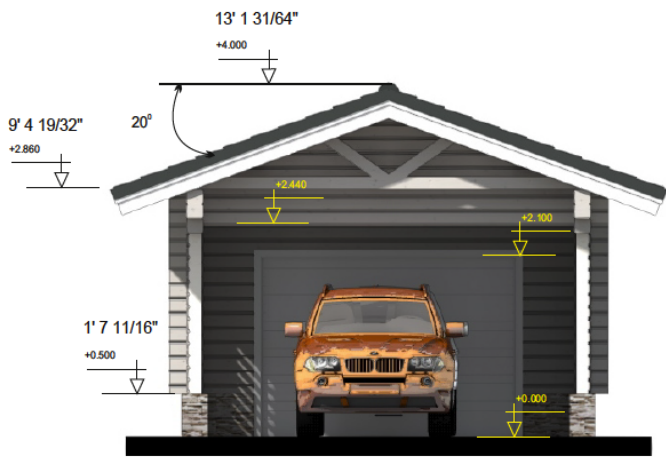
Elevation 1-3 Scale 1:75



Elevation 3-1 Scale 1:75



Elevation A-B Scale 1:75



Elevation B-A Scale 1:75

